

OTC Quality Products

OTC210 / OTC216 INSTALLATION MANUAL



Model
OTC210
OTC216

OTC Quality Products
☎ 866 558 3200 ✉ info@otcquality.com

www.otcquality.com

OTC Quality Products

Mounting Methods

There are 2 options available for mounting pump housing (gray plastic enclosure with OTC logo):

Spout Mount Method: Pump housing is mounted onto the spout shank. See below left.

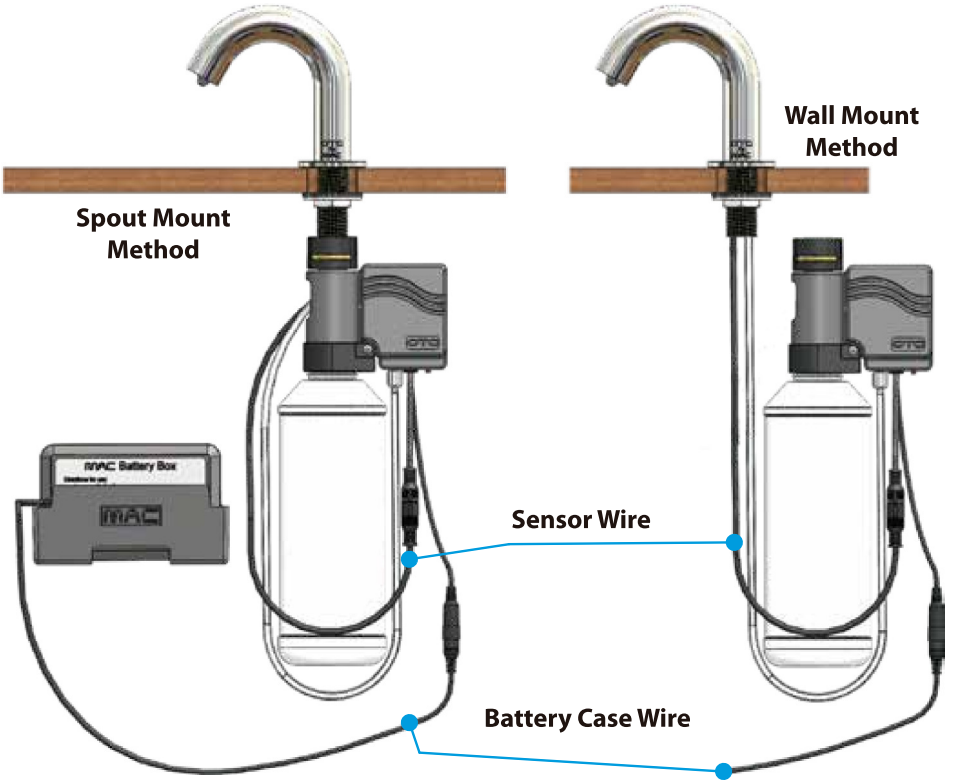
Wall Mount Method: Pump housing is mounted to a bracket which is affixed to the wall. See below right.



Model OTC210
Standard 4" reach



Model OTC216
Long 6" reach

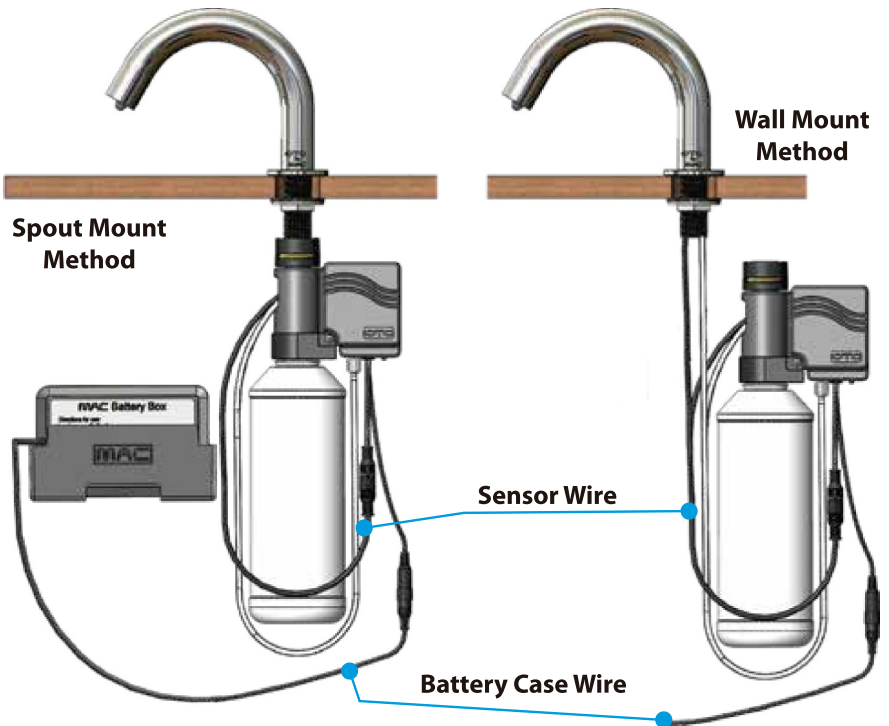


Spout Mount Method

Wall Mount Method

Sensor Wire

Battery Case Wire



Spout Mount Method

Wall Mount Method

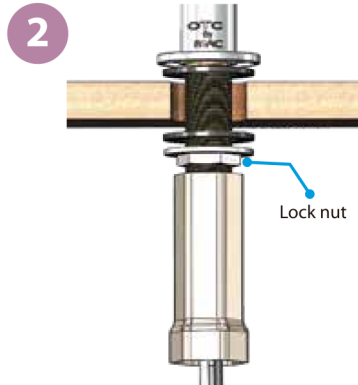
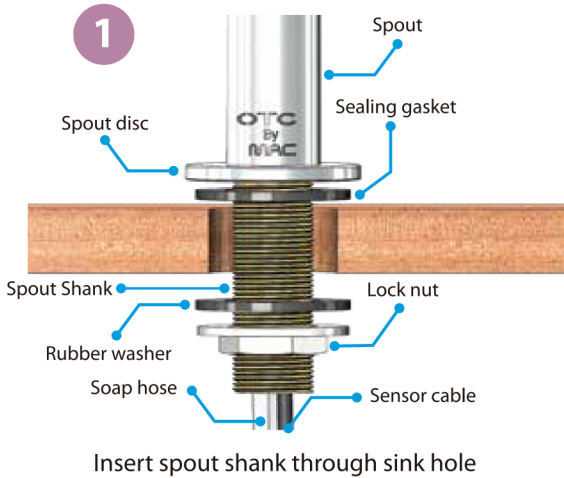
Sensor Wire

Battery Case Wire

Tools Needed

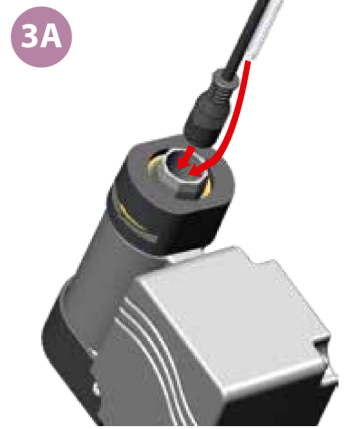


Before proceeding, refer to Page 2 for mounting methods, and to page 6 for proper installation of soap dispenser relative to faucet.

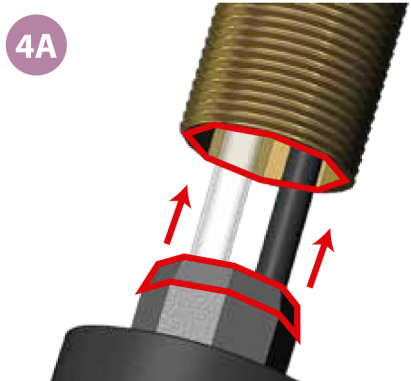


Use proper tool to tighten lock nut
Careful not to damage hose & cable
Installations using 1 gallon soap container, please proceed to page 6

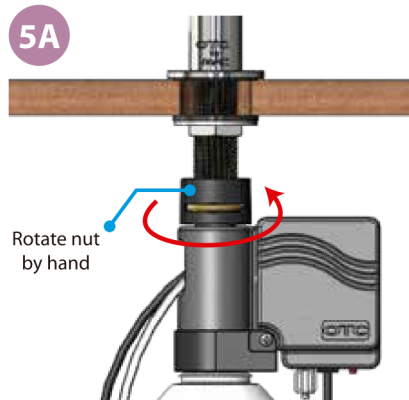
Spout Mount Method. See page 2



Insert sensor cable **FIRST** then hose into tubular part of pump housing



Align hex detail of pump housing with hex ID detail of shank and push



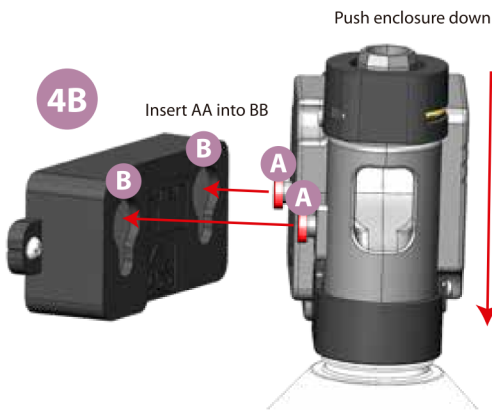
Fasten pump housing onto spout shank by rotating plastic nut by hand only. Do not overtighten

Skip steps 3B and 4B, go directly to 6A

Wall Mount Method. See page 2.



Mount wall bracket onto wall in a level horizontal position. Follow arrows showing UP side.



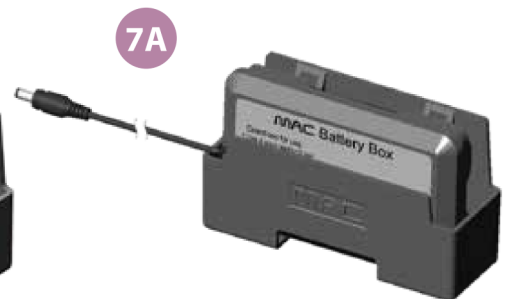
Install pump housing onto wall bracket (insert AA into BB and push enclosure down).

Instructions 6A & 7A below for battery powered units only.

For AC powered units, skip 6A & 7A. Go directly to page 4



Install Battery case holder onto wall in a level horizontal position.



Place battery case inside of battery holder so that case label is legible

7B

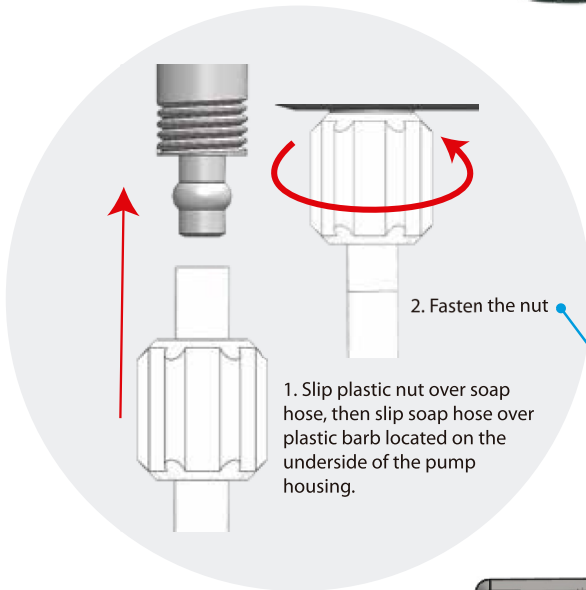


OPTIONAL: 110V AC Power supply

Before proceeding to step 7B make sure wall socket has power **OTHERWISE** soap dispenser will not function

Soap dispensers with **optional AC adapter**: Plug AC adapter into wall socket as usual.

8

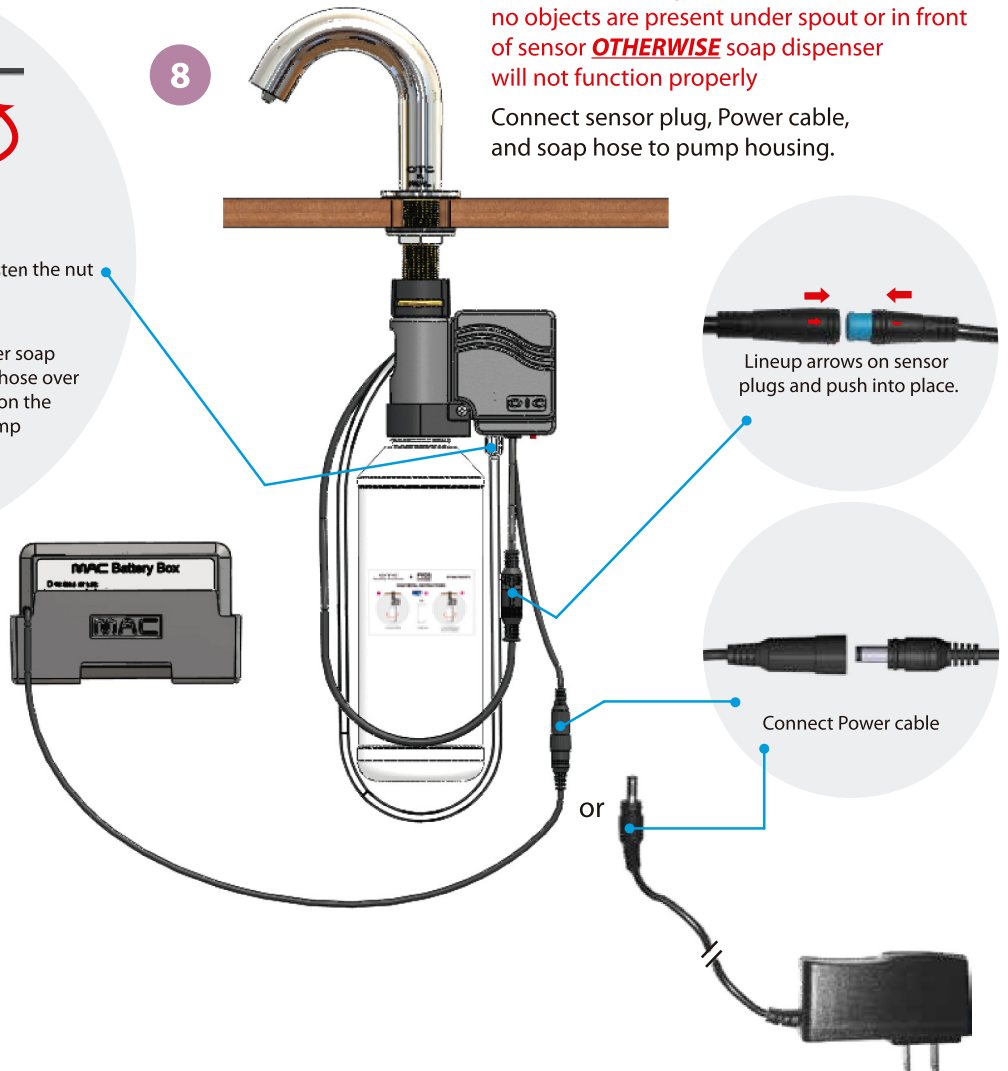


1. Slip plastic nut over soap hose, then slip soap hose over plastic barb located on the underside of the pump housing.

2. Fasten the nut

Before proceeding to step 8 make sure no objects are present under spout or in front of sensor **OTHERWISE** soap dispenser will not function properly

Connect sensor plug, Power cable, and soap hose to pump housing.

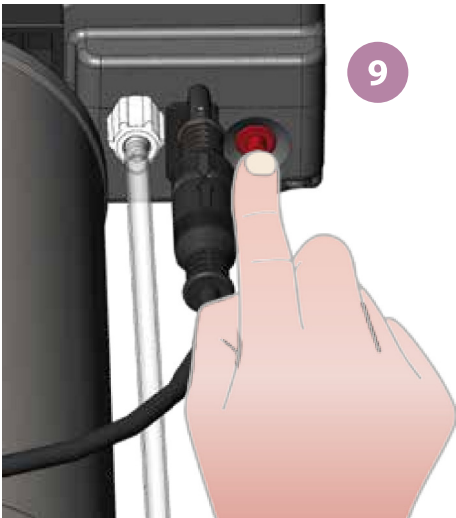


Lineup arrows on sensor plugs and push into place.

Connect Power cable

or

9



Before proceeding to step 9 make sure soap bottle is filled with liquid soap. See page 5 for soap refill instructions

Press and hold the primer button located on the underside of the pump housing until soap pours out of nozzle

SOAP REFILL INSTRUCTIONS

DO NOT USE HEAVY CREAM SOAPS OR GRIT TYPE SOAPS



1. Unscrew the empty bottle



2. Add liquid soap into the empty bottle

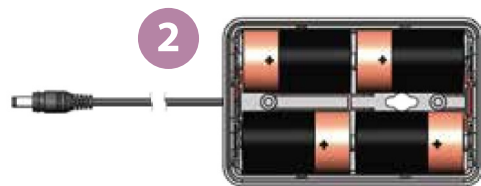


3. Affix bottle filled with soap onto pump housing. Do not overtighten.

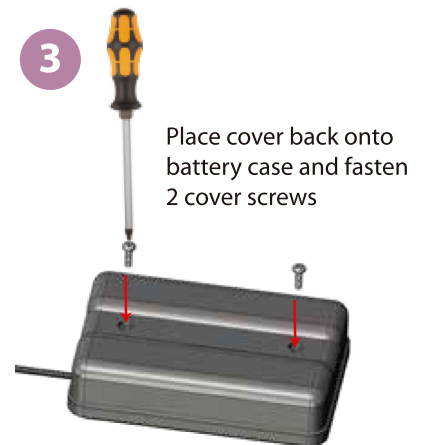
BATTERY REPLACEMENT INSTRUCTIONS



Unfasten 2 cover screws, and lift cover up and away from batteries

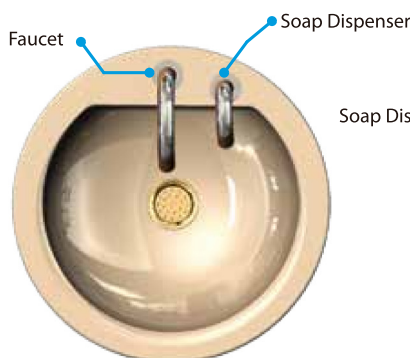


Properly place new batteries inside of battery case

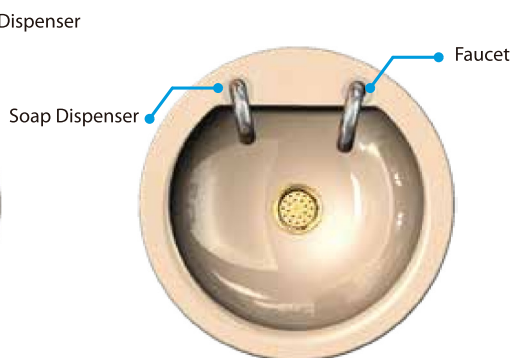


Place cover back onto battery case and fasten 2 cover screws

Installation Option A



Installation Option B



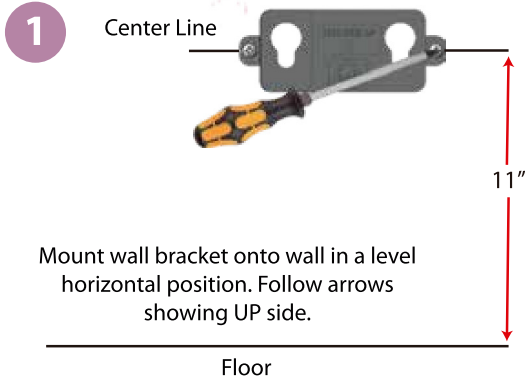
Proper Installation of Soap Dispenser Relative to Faucet

Electronic soap dispenser as well as faucet SHALL be accessible to all users.

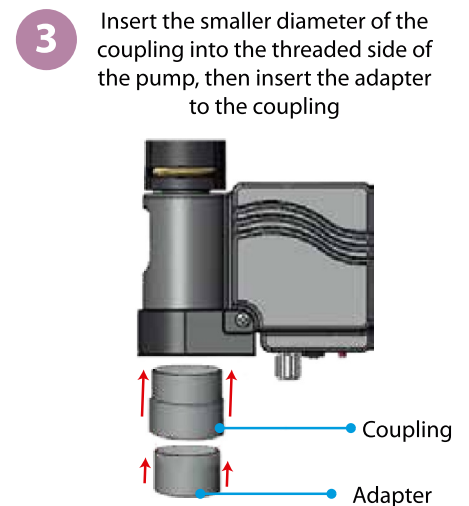
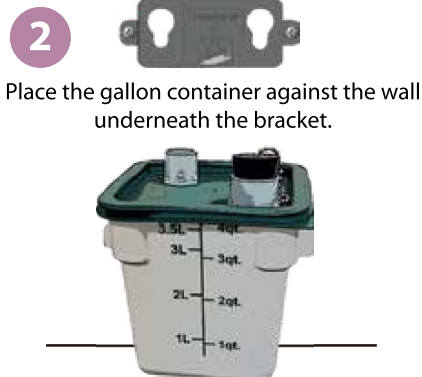
Special consideration must be given to electronic soap dispenser location to prevent accidental activation

GALLON CONTAINER INSTALLATION

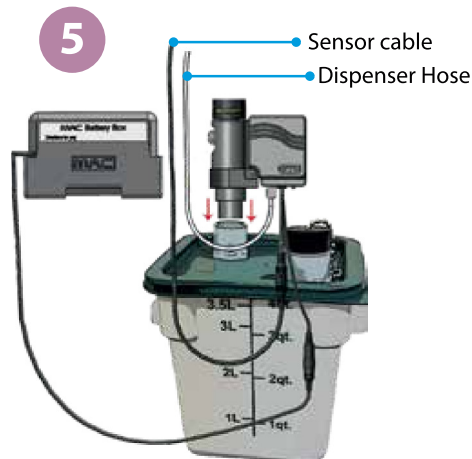
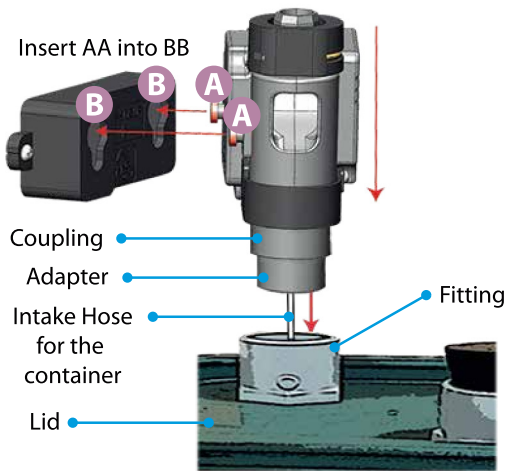
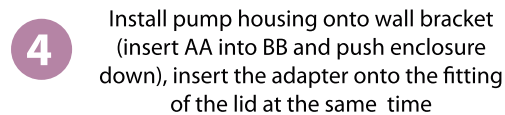
NOTE : CONTINUE FROM STEP 2, PAGE 3 OF THE INSTALLATION MANUAL. GALLON CONTAINER MUST BE PLACED ON LEVEL SURFACE CAPABLE OF SUPPORTING 10LB WEIGHT OR GREATER



Mount wall bracket onto wall in a level horizontal position. Follow arrows showing UP side.



NOTE: Coupling and adapter are used only for Gallon Container



LIMITED WARRANTY

MAC FAUCETS warrant this product to be free of defects for a period of one year from date of purchase. MAC FAUCETS will replace, free of charge, during this warranty period, parts that prove defective when properly installed and under normal use and service. Damage that occurs as a result of abuse, improper installation, environmental conditions, or improper application will void this warranty. Products or components that have been altered or in any way modified will not be covered under this warranty. This warranty does not cover installation or any other labor charges. This warranty does not cover shipping and handling of both replacement parts and returned defective parts. Defective products must be shipped back to MAC FAUCETS facilities with postage and handling prepaid, along with dated proof of purchase.